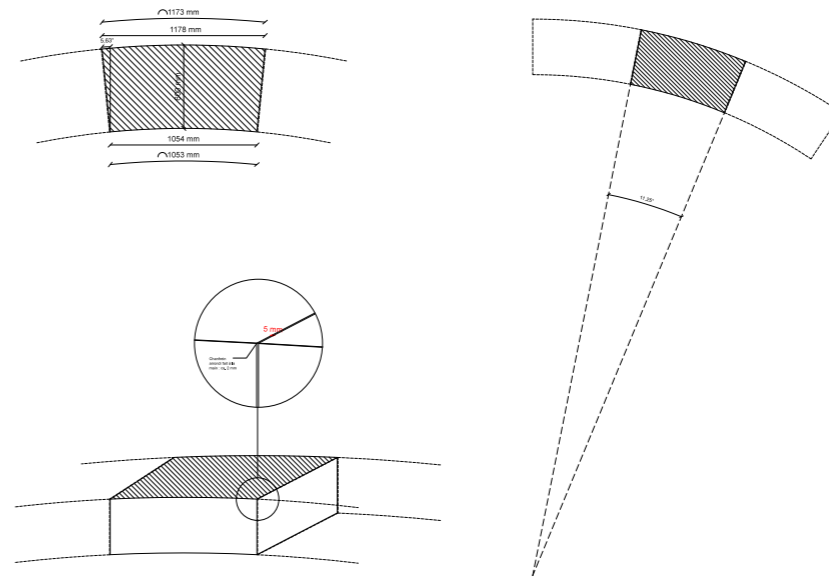


The trees have been planted in a circle, at a distance of two people holding hands. The choice of tree is birch, the symbol of youth and regeneration, and an indigenous tree of the understory capable of growing below the forest canopy. Their white trunks set them apart from the surrounding forest.

Within this circle of trees, a second circle has been created with Belgian bluestone, traditionally used for tombstones. Thirty-two massive blocks have been cut into circular segments.



The memorial delineates a double void in the forest. The trees cut out a circle in the sky, while the stones draw a ring on the floor.

