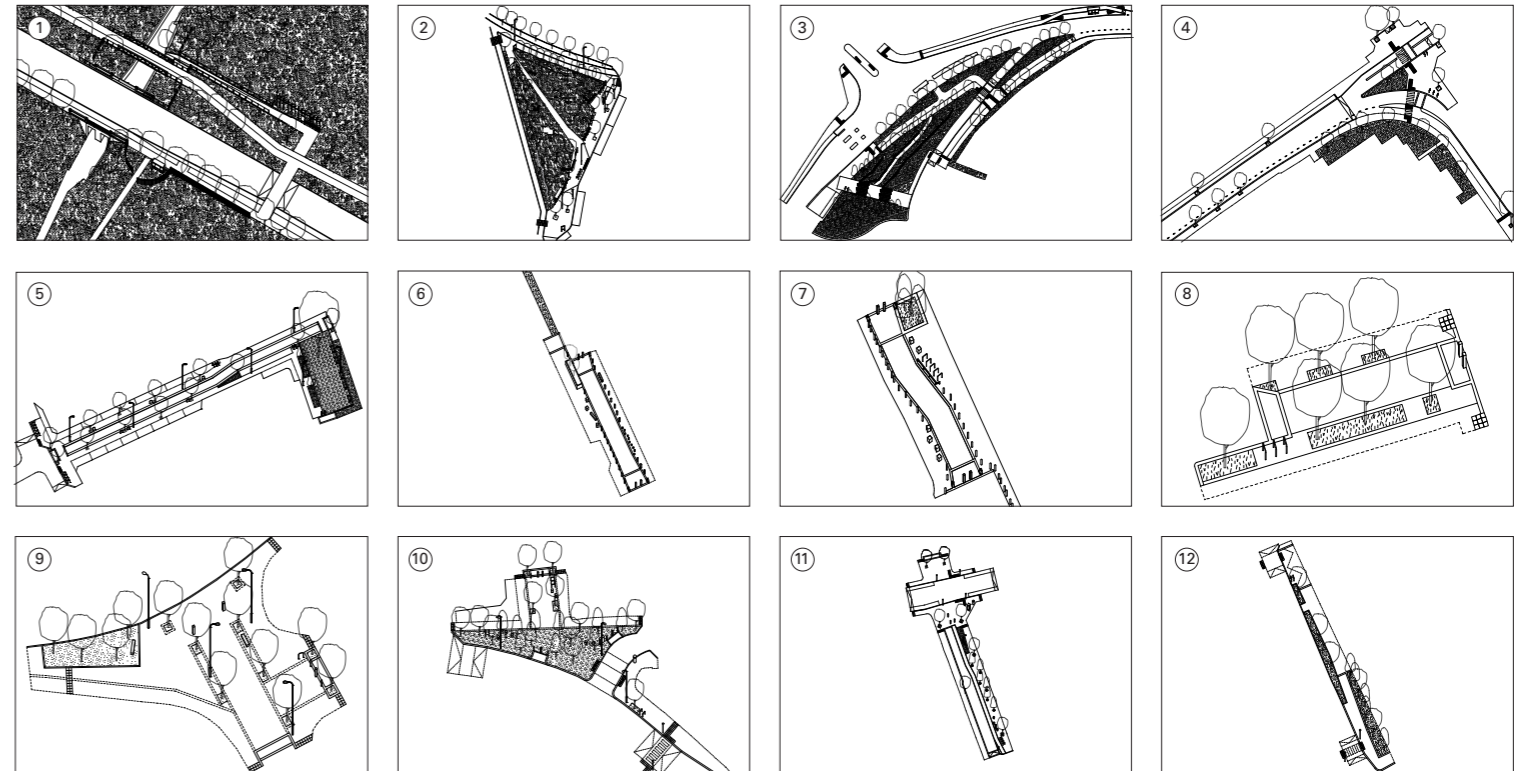
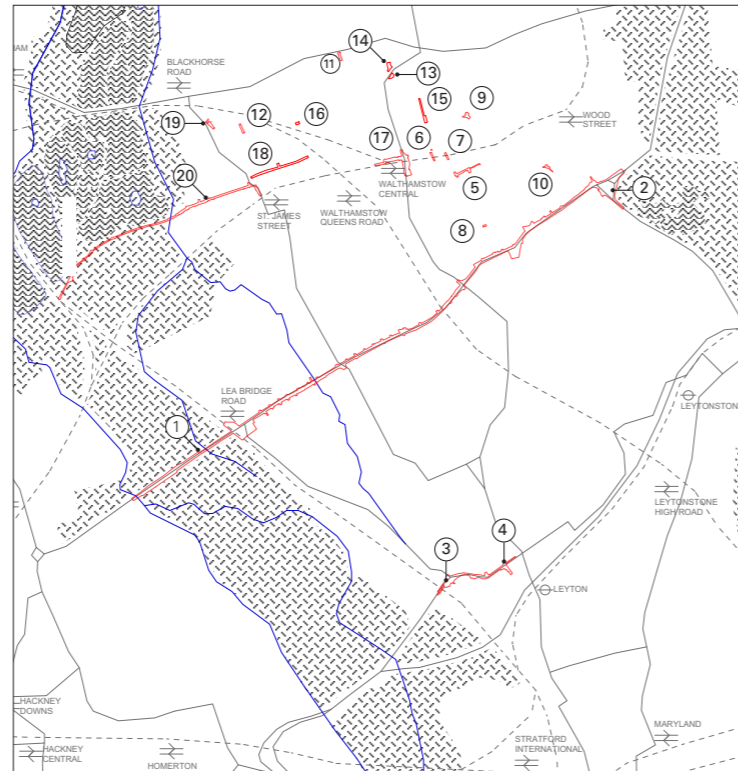
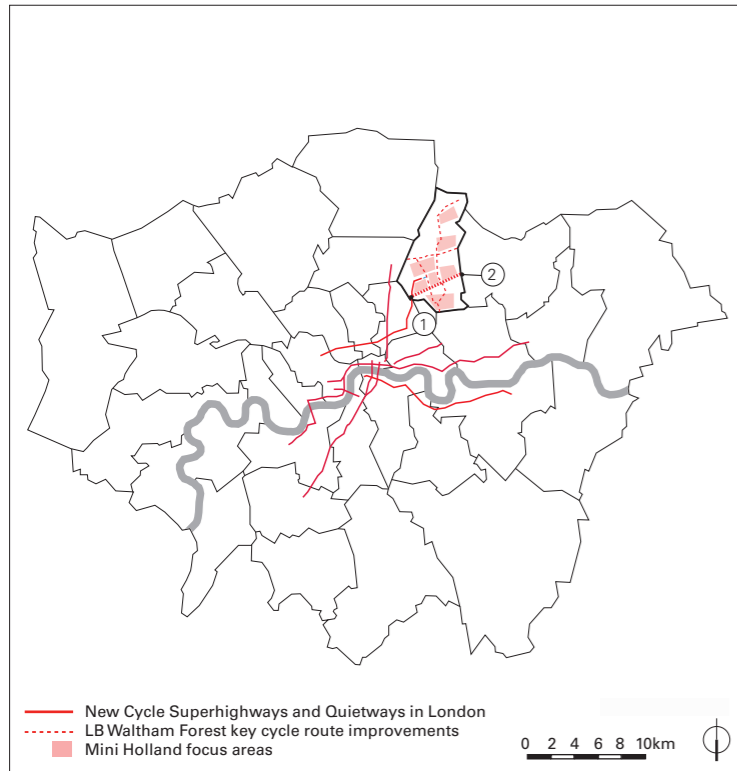


# K230 / Mini Holland London Borough of Waltham Forest and what if: projects

How can a crowded, polluted, and often grid-locked city like London persuade people to get on their bikes or walk? The Mini Holland project in the London Borough of Waltham Forest shows the way.



before: 2014



before: 2014



after: 2017



after: 2017

Client: London Borough of Waltham Forest (LBWF)  
 Architects: what if: projects  
 Consultation with: Commonplace, LBWF  
 Highway Engineers: Project Centre, LBWF  
 Total Mini Holland budget: £27Mil.  
 Dates: 2014-ongoing

- Completed Mini Holland areas include:
1. Lea Bridge Road quiet way, first section with new cycle bridge / Size: 2000m<sup>2</sup> / Budget: £450K / Completed 2016-17
  2. Lea Bridge Road: Whipps Cross bus stops and green space / Size: 1800m<sup>2</sup> / Budget: tbc / Ongoing
  3. Ruckholt Road: greening and cycle lanes / Size: 3090m<sup>2</sup> / Budget: £1Mil / Completed 2016
  4. Ruckholt Road: York Way triangle (greening and road closure) / Size: 1470m<sup>2</sup> / Budget: £30K / Completed 2015
  5. Walthamstow Villages: Orford Road + Village Square (cycle street) / Size: 1580m<sup>2</sup> / Budget: £450K / Completed 2015
  6. Walthamstow Villages: West Avenue Bridge (road closure) / Size: 440m<sup>2</sup> / Budget: £87.5K / Completed 2015
  7. Walthamstow Villages: East Avenue bridge (road closure) / Size: 350m<sup>2</sup> / Budget: £87.5K / Completed 2015
  8. Walthamstow Villages: Grove Road orchard (road closure) / Size: 210m<sup>2</sup> / Budget: £70K / Completed 2017
  9. Walthamstow Villages: St. Mary's Church Drive (shared surface) / Size: 719m<sup>2</sup> / Budget: £70K / Completed 2017
  10. Walthamstow Villages: Greville Road public space (road closure) / Size: 719m<sup>2</sup> / Budget: £70K / Completed 2017
  11. Walthamstow Villages: Greenleaf school route and entrance / Size: 905m<sup>2</sup> / Budget: £70K / Completed 2017
  12. Walthamstow Villages: Pretoria Avenue school route and entrance / Size: 327m<sup>2</sup> / Budget: £70K / Completed 2017
- Photography: what if: projects, Alexander Christie, Mark Kerrison, We support WF Mini Holland, Inge Clemente